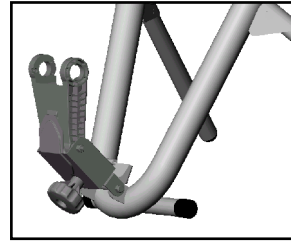


# Model# 9705



## BMX/RECUMBENT 20" AND 24" WHEEL ADAPTER



### Parts Included:

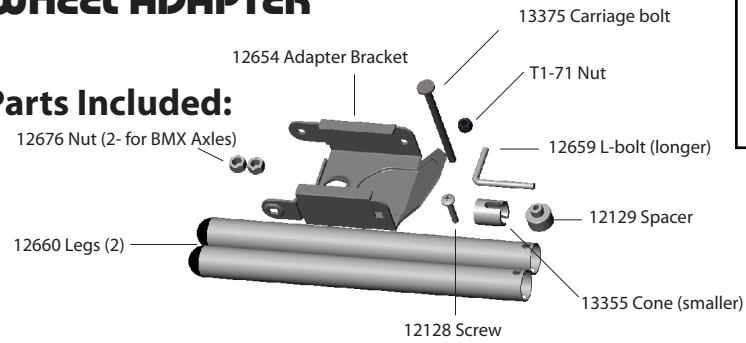


Figure 1

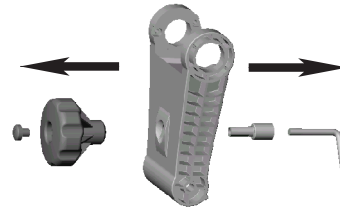


Figure 2

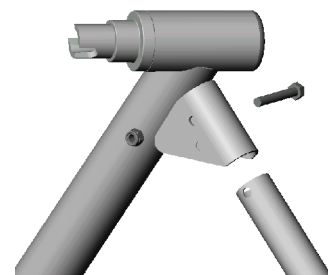


Figure 3

### Pre Assembly: (Figure 1)

Detach L-bolt from knob nut by unscrewing the knob.  
Using a phillips screwdriver, remove knob off existing resistance unit by unscrewing screw from inside of knob.  
Remove carriage bolt from frame and resistance unit.  
Remove existing legs as shown in Figure 2.  
Reattach shorter legs to frame.

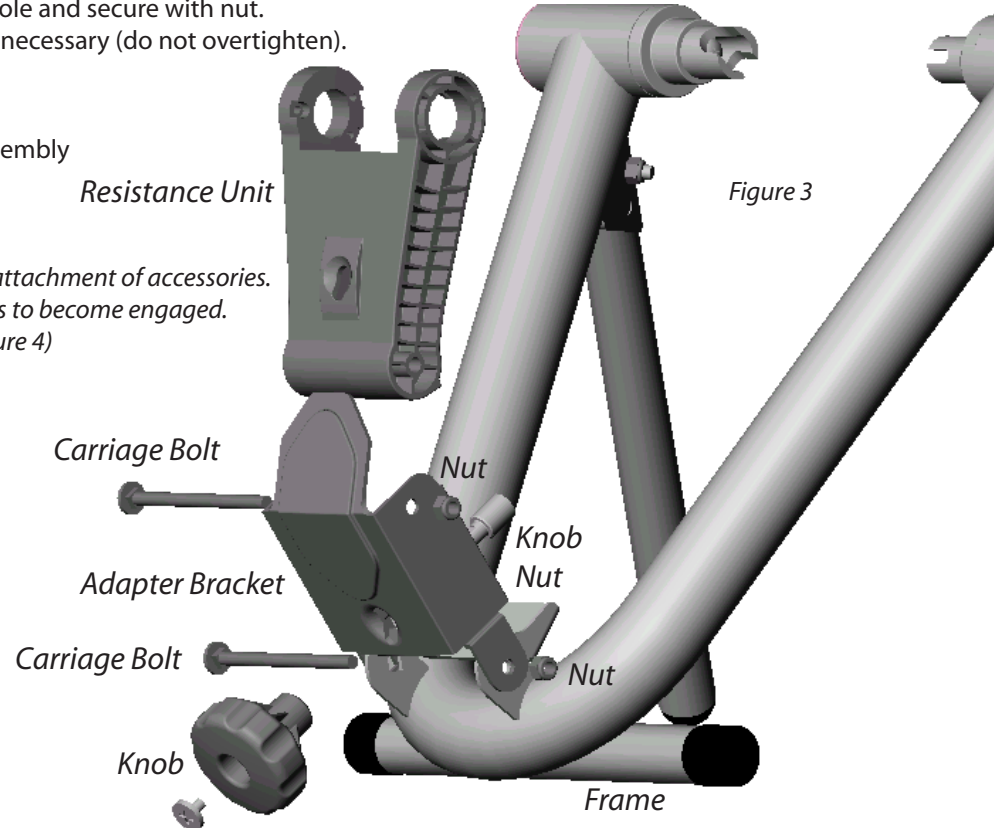
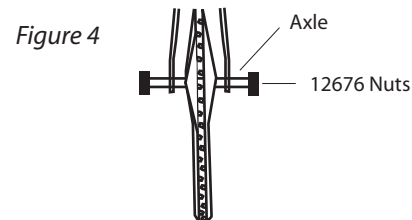
### Assembly: Mount adapter bracket to frame. (Figure 3)

Attach knob to knob nut through slot in adapter bracket.  
Screw L-bolt into knob nut.  
*Note: If using a 20" tire use existing L-bolt. If using a larger diameter 24" tire use supplied longer L-bolt. Insert existing carriage bolt through square hole on bracket to mount adapter to the frame.  
Secure with existing nut.  
Insert resistance unit into adapter bracket as shown in Figure 1 with flat surface out.  
Insert new supplied carriage bolt through square hole and secure with nut.  
Tighten knob until tire meets roller then tighten as necessary (do not overtighten).*

### BMX Users:

For BMX and narrower frames see beach cruiser assembly instructions on back. In addition, use smaller cone supplied for BMX bicycles.

*Note: Some BMX bikes have protruding axles for the attachment of accessories. In this case, please use supplied nuts to allow for cones to become engaged. Provided nuts should fit most rear BMX axles. (See Figure 4)*



# Model# 12127



## BEACH CRUISER KIT

### Suggested Tool Requirements

Large Phillips Head Screwdriver

### Modified Kit Parts List

S pacer-12129  
T russ Head Screw 1.25"-12128

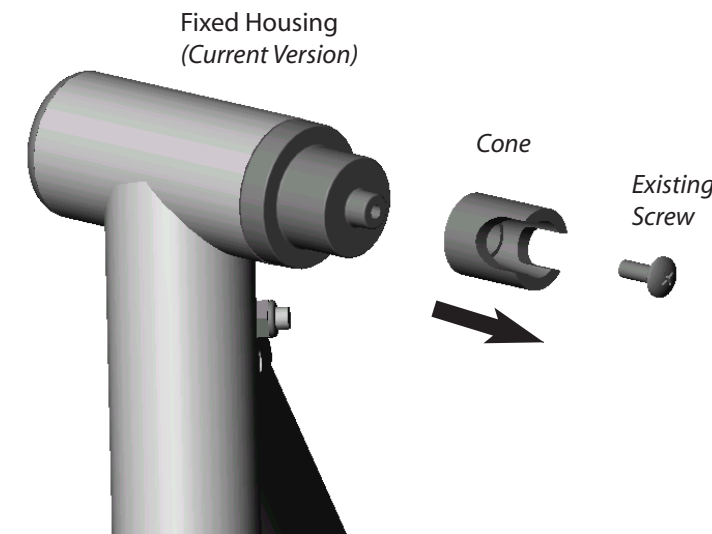
### Step 1:

Use a **large head screwdriver** to disassemble.

### Step 2:

Reassemble as shown.

### Step 1:



### Step 2:

